



Seat Innovation

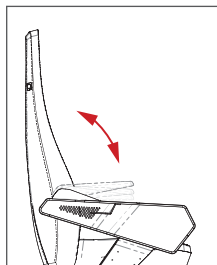
OP50 AND OP60
User Manual

© Seat Innovation | Buråsen 42, 4636 Kristiansand, Norway
info@seatinnovation.no
www.seatinnovation.no

USER MANUAL OP50 AND OP60

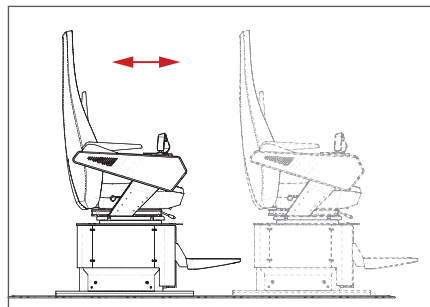
ARMREST ANGLE ADJUSTMENT

Lift armrest then screw support up or down to achieve required angle.



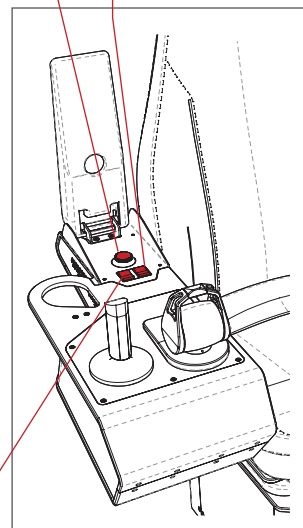
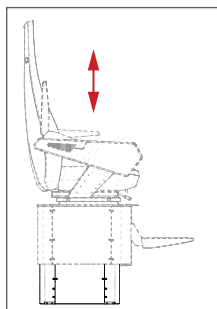
CHAIR MOVEMENT FORWARD AND BACKWARD (ON OPTIONAL RAIL)

Lift armrest and operate switch.



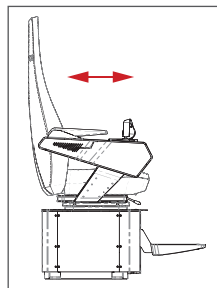
CHAIR HEIGHT ADJUSTMENT UP AND DOWN

Lift armrest and operate switch.



SEAT SLIDE FORWARD AND BACKWARD

Lift handle to slide forwards and backwards.

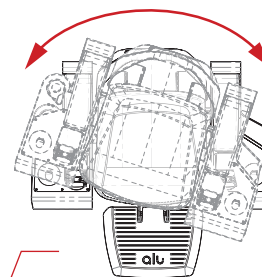


LOGO

Option to have customer logo stitched to the back or front of the chair seat.

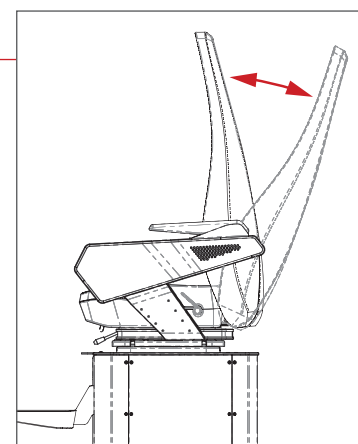
CHAIR ROTATION

Press lever down to rotate seat. Seat locks at 90° intervals.



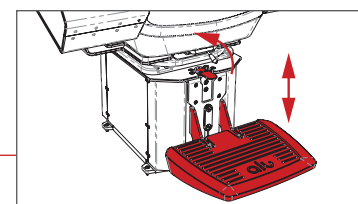
BACKREST RECLINE

Lift lever and push backwards to recline backrest.

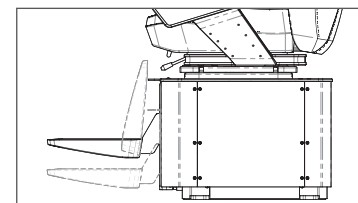


FOOTREST HEIGHT ADJUSTMENT

Lift lever up and footrest will rise.

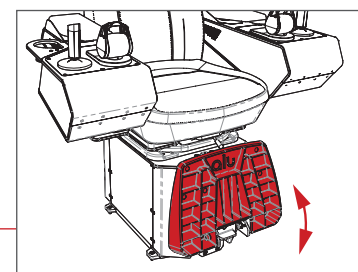


Lift lever up and put weight on footrest to lower it.



FOOTREST CAN BE LIFTED OUT OF THE WAY

Footrest can be tilted upwards 90°, and remain in upright position.



For more detailed information please refer to installation and user manuals that follow every chair delivered. Please maintain the seat upholstery with mild detergents or as recommended.